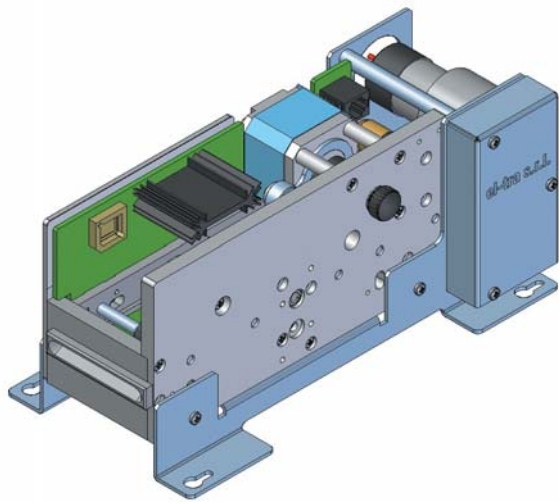




EL7000 SERIES Reader/encoder module with ticket shredder



MAIN FEATURES

- Side frame supporting ticket shredder and reader/encoder modules
- Ticket shredder made by crushing roll and geared DC motor
- Capability of processing rounded or bevelled ticket corner shape
- Punched holes or printed marks compatibility
- EL2000 reader/encoder module usage
- Communication by means of RS232/RS485 serial interface

TECHNICAL SPECIFICATIONS

OVERALL DESCRIPTION

- Outline dimensions:** 110(H) x 250(L) x 120(W) mm
- Weight:** 2,5 Kg (Approximately)
- Electronics:** EL2000 PCB
- Ticket motion:** Stepping motor
- Transport method:** Belt and rolls
- Ticket Sensors:** Photosensors
- Shredder motion:** DC geared motor
- Output interface:** RS232 / RS485
- Power requirements:** +24V DC +/-10% 1,5A
+5V DC +/-5% 0,3A

TICKET SPECIFICATION

- Length:** 85.60 to 120 mm
- Width:** 53.98 mm
- Thickness:** From 0.15 to 0.35 mm

ENVIRONMENTAL

- Operating temperature:** From 0 to +50°C
- Storage temperature:** From -20 to +60°C
- Relative humidity:** From 20 to 80%
(No condensation)